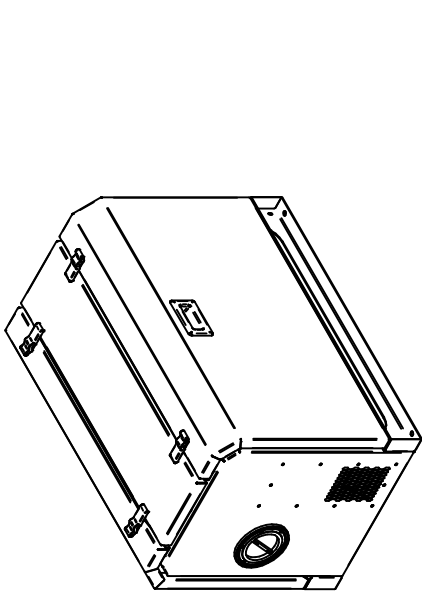
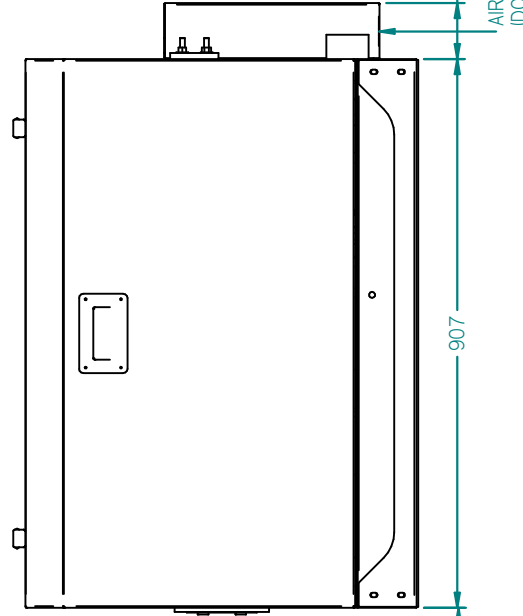
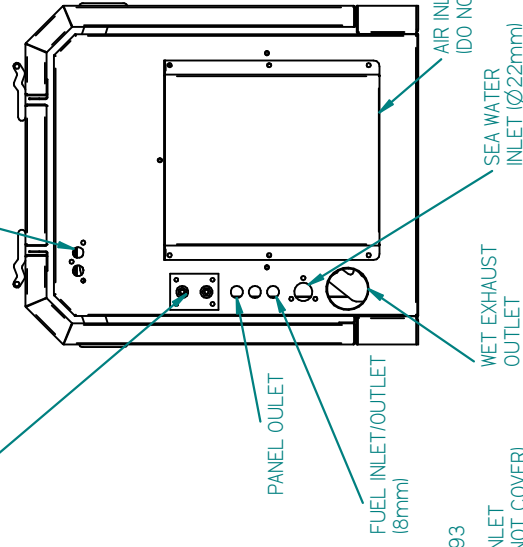


**BOLTING DOWN HOLES**



ACCESS COVER  
ACCESS COVER

BATTERY CONNECTIONS (M8)  
CALORIFIER CONNECTIONS



AIR INLET (DO NOT COVER)  
93

907

MIN 100

REV	DESCRIPTION	DATE	APPD	DRAWN	NOTES
01					(NPE31-D)

**BETAGEN 11-2  
HEAT EXCHANGE**

TITLE:

---

PART FILE NAME: BETAGEN 11-2 BD722 HE NPE31-D-2.asm

**BETA MARINE**  
 BETA MARINE LTD.  
 DAYWAY  
 WATERWELLS  
 QUEDGELEY  
 GLOUCESTER, GL2 2AD, UK  
 TEL: (01452) 723492 FAX: (01452) 728916

DIMENSIONS IN MM (INCH)  
 DO NOT SCALE

DRAWN BY:	TW	SIZE:	A4	DWG NO.:	100-09185	REV	00
CHECKED BY:	LT	SCALE	1 of 1	PAGE	1 of 1	DATE	17/03/2011