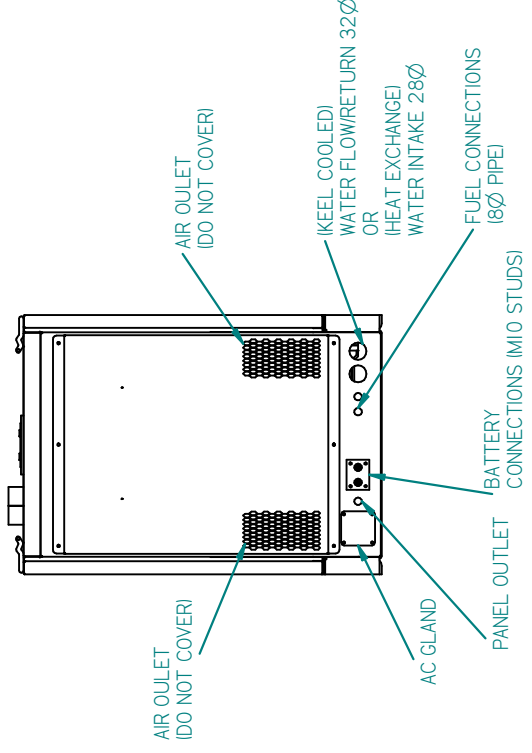
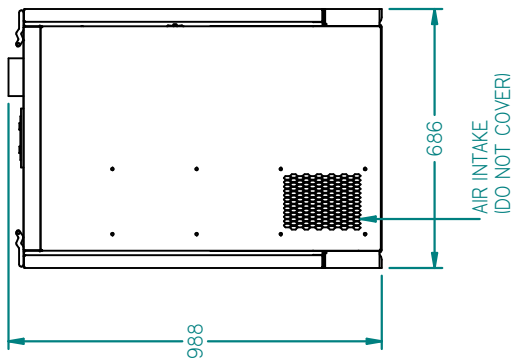
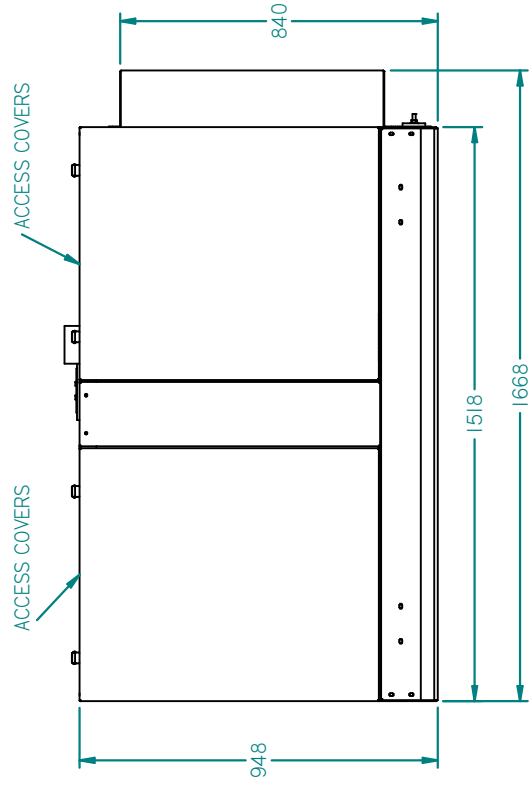
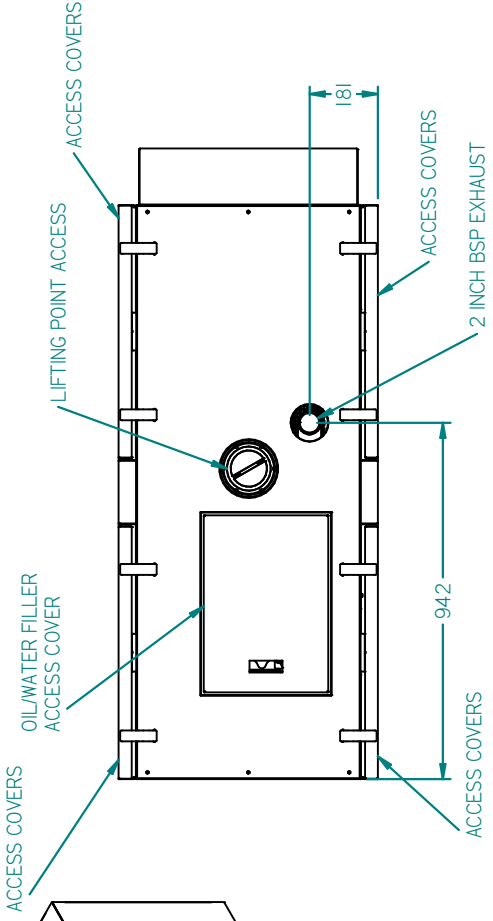


BOLTING DOWN HOLES



REV	DESCRIPTION	DATE	APPD	DRAWN	NOTES
01					

NOTES: BV3300 ELO32-3S

TITLE: **BETAGEN 26 1ph & BETAGEN 33-40 3ph DRY EXHAUST KC/HE**

DRAWN BY: TW
CHECKED BY: LT

SIZE: A4
SCALE: LT

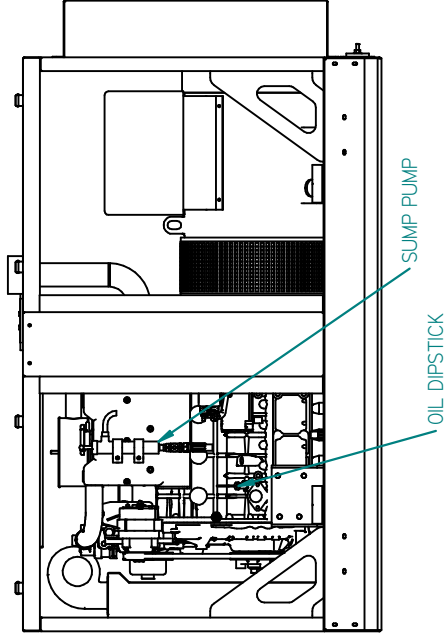
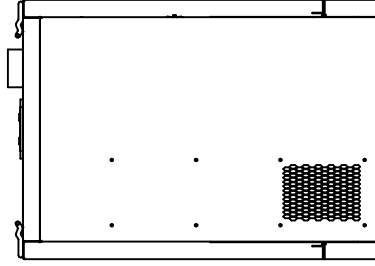
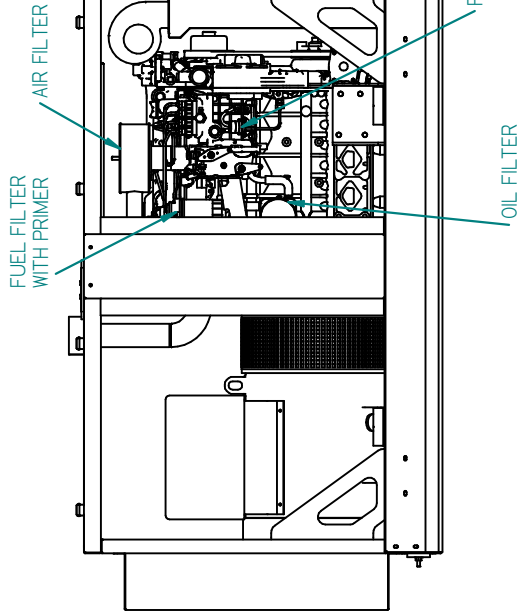
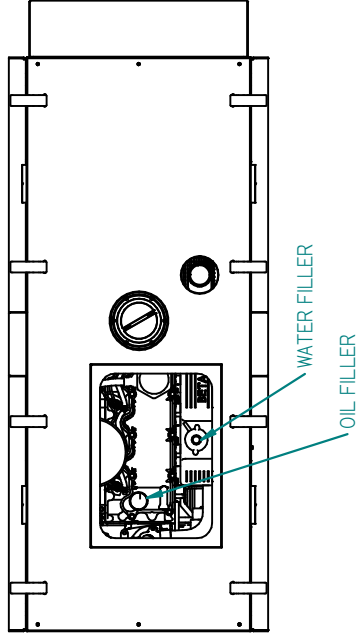
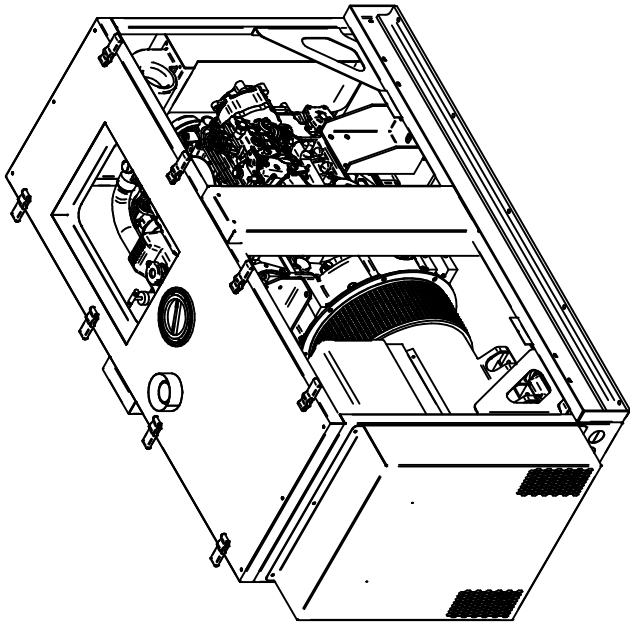
DWG NO: **100-08447**
PAGE: 1 of 2

REV: **00**
DATE: 12/08/2009

PART FILE NAME: 100-08447 BG3300 KC ECO32 3S IN HOUSING.asm

BETA MARINE LTD.
DARY WAY,
WATERWELLS,
QUIDSELEY,
GLOUCESTER, GL2 2AD, UK

TEL: (01452) 723492
FAX: (01452) 728916



REV	DESCRIPTION	DATE	APP'D	DRAWN	NOTES
01					

NOTES: BV3300 EC032-3S

TITLE:

BETAGEN 26 1ph & BETAGEN 33-40 3ph
 DRY EXHAUST KC/HE

PART FILE NAME: 100-08447 BG3300 KC ECO32 3S IN HOUSING.asm
 DIMENSIONS IN MM (INCH)
 DO NOT SCALE

DRAWN BY: TW
 CHECKED BY: LT

BETA MARINE LTD.
 DAVEY WAY
 WATERWELLS
 QUEDWELLY,
 GLOUCESTER, GL2 2AD, UK

BETA MARINE
 TEL: (01452) 723492 FAX: (01452) 728916

SIZE: A4
 DWG NO: 100-08447
 SCALE: NTS
 PAGE: 2 of 2
 DATE: 12/08/2009
 REV: 00