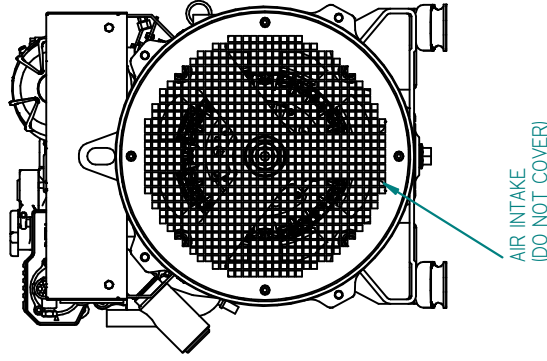


MOUNT DETAILS



REV	DESCRIPTION	DATE	APPD	DRAWN	NOTES
01					

TITLE: **BETASET 11-2**
3000 RPM

DIMENSIONS IN MM (INCH)
 DO NOT SCALE

BETA MARINE
 BETA MARINE LTD.
 DAVEY WAY
 WATERWELLS
 QUEDWELLY,
 GLOUCESTER, GL2 2AD, UK
 TEL: (01452) 723492 FAX: (01452) 728916

DRAWN BY: **TW**
 CHECKED BY: **LT**

SIZE: **A4**
 SCALE: **1 of 1**
 DWG NO: **100-09380**
 NTS: **1**
 DATE: **26/01/2012**
 REV: **00**