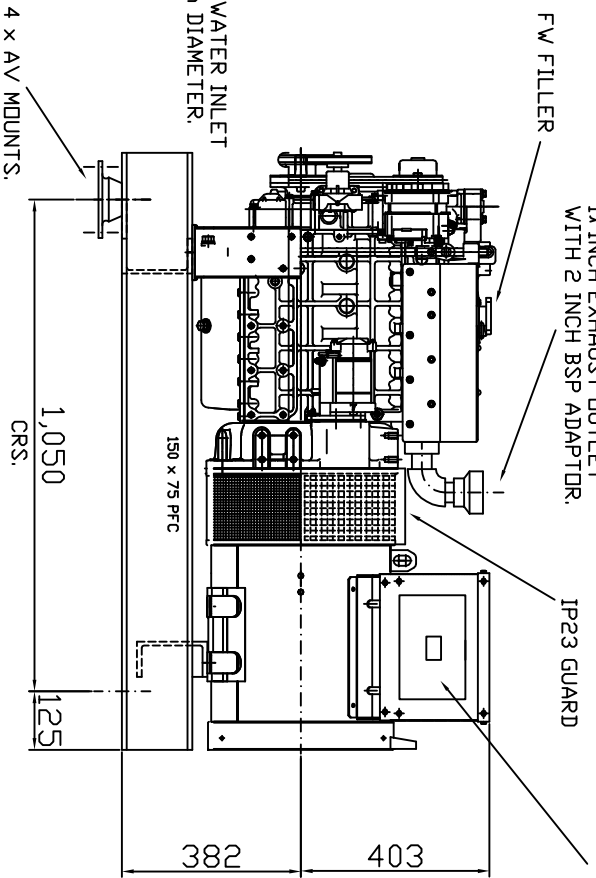
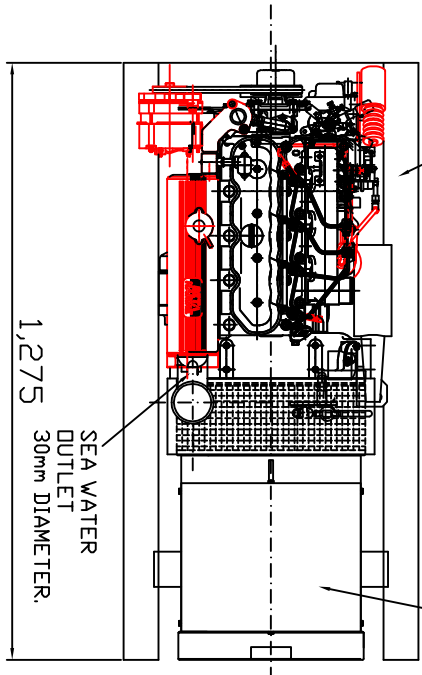
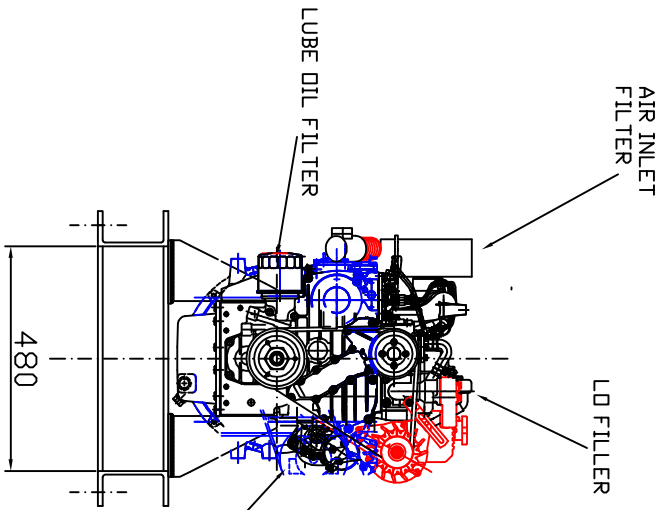


BV2203 BETA ENGINE

MECC ALTE ECD32-1S  
GENERATOR

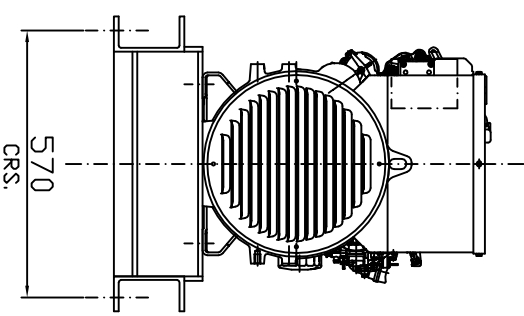
METALASTIC AV MOUNT  
SIZE 17/1609/1 - 55  
UNLOADED  
140  
50  
CRS.



2 INCH BSP, MALE, FLEXIBLE EXHAUST BELLOWS. THIS MUST BE INSTALLED AS CLOSE TO THE OUTLET AS POSSIBLE. THE WEIGHT OF THE EXHAUST SYSTEM MUST BE FULLY SUPPORTED AND NOT ALLOWED TO REST ON THE ENGINE OUTLET.



MCB WITH 100mA TRIP MOUNTED IN TERMINAL BOX.



REV	DESCRIPTION	DATE	APP'D	NOTES	COMPLETE UNIT
				THIRD ANGLE PROJECTION, DIMENSIONS IN mm, DO NOT SCALE.	MARINE GENERATOR SET.

THIRD ANGLE PROJECTION,  
DIMENSIONS IN mm,  
DO NOT SCALE.  
ESTIMATED WEIGHT 530kgs.

<b>BETA MARINE</b>		DRAWN BY:--	SIZE	DWG NO.	DATE	SHEET	REV
		CHECKED BY:--	100-05194	100-05194			