

MPV 16

Max. Output 16 kVA



Engine Yanmar 3TNV88

Type	Diesel, 4 Stroke
Cooling system	Water cooled
Cylinders	3
Cylinder block material	Cast iron
Displacement (c.c. - cu.in)	1642 - 100
Engine output (hp)	18,4
RPM	1500
Injection system	Direct
Governor	Centrifugal, mechanical
Lubrication system	Forced
Oil sump capacity (lt - gal)	6,7 - 1,8
Stop system	Solenoid
Fuel tank capacity (lt.)	50
Autonomy 3/4 load (h)	20
Starter battery (Ah-V)	80 - 12
Battery charger (Ah-V)	15 - 12
Starter motor (kW-V)	1,4 / 12

Generator

Type	Synchronous, 4 poles, selfexcited
Regulation	Compound
Voltage (V)	400 / 230
Frequency (Hz)	50
3-Phase Output	400 V
Max. output	16 kVA
Cont.output	15 kVA
Power factor (cos ϕ)	0,8
Single-Phase Output	230 V
Max. output	11 kVA
Power factor (cos ϕ)	1
Insulation class	H
Voltage stability	$\pm 5\%$
Frequency stability	$\pm 5\%$

Soundproof cabin

- With a frame and openable hoods made of steel panels.

Engine

- Easy access in case of maintenance to the feeding system.
- Safety stop in case of low oil pressure.
- Safety stop in case of high water temperature.
- Oil and fuel filters are easily replaceable easy access.
- Water cooled engine with radiator.

Control panel

The **mase** control panel has been designed and built to combine all the control instruments and warning lights both for the engine and the generator.

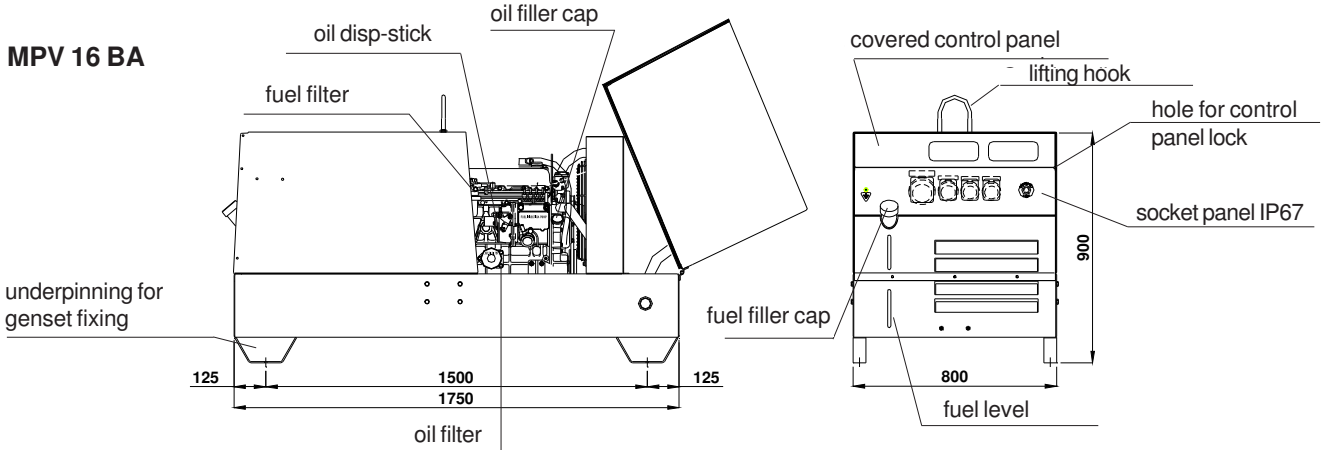
The sheet steel made panel is painted and proofed against the rain. The main equipments, included on the control panel, are the following:

- Ammeter; • Voltmeter ; • 4-pole circuit breaker and earth fault device; • 1-pole circuit breaker; • Electronic device for automatic shutdown of the engine in case of HWT and LOP; • Emergency stop button; • Starting key; • Warning light for: high cooling water temperature, low oil pressure; • Hour meter; • Socket 32A 400V 3P+N+T • Socket 16A 400V 3P+T; • N°2 Socket 2P+T 230V 16A • Remote automatic control panel connector

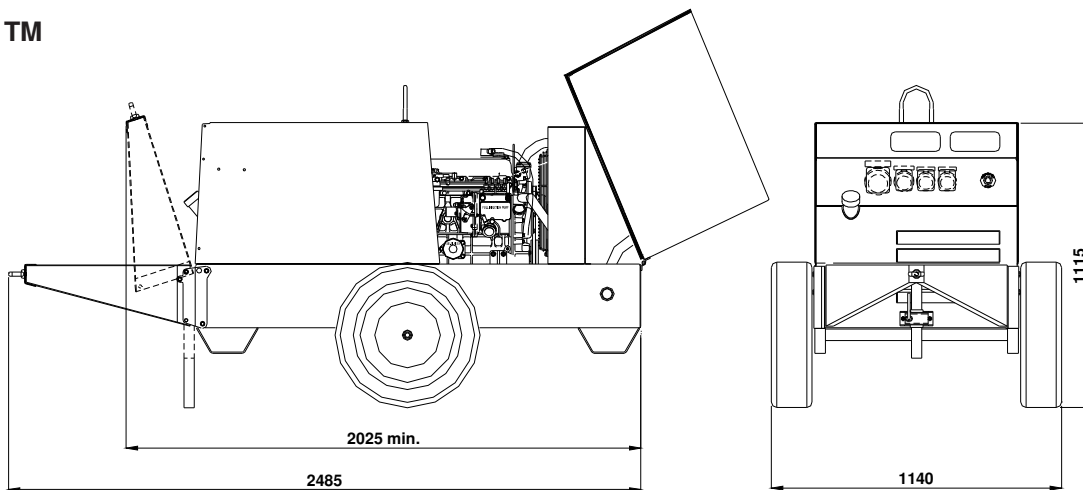
Generator

- Synchronous, 4 poles, self-excited, with compound.
- Rotor and stator epoxy resin coated against environmental agents.
- Rotor dynamically balanced.
- Insulation class H.

MPV 16



MPV 16 TM



	MPV 16 BA	MPV 16 TM
length	1750 mm - 5,7 ft	2025/2485 mm - 6,6/8,4 ft
width	800 mm - 2,6 ft	1140 mm - 3,7 ft
height	900 mm - 3 ft	1115 mm - 3,6 ft
weight	600 kg - 1320 lb	630 kg - 1400 lb
noise level 94 LwA (69 dB at 7m)		

Dealer:

OPTIONALS

SITE TOW VERSION WITH FOLDING DRAWBAR

mase generators s.p.a. reserves the right to change the design or specifications without notice and without any obligation or liability whatsoever.



MASE GENERATORS S.p.a. Via Tortona, 345
47023 Cesena (FC) Italy
Tel.+39-0547-354311 Fax.+39-0547-357555
Email : mase@masegenerators.com