



| PD 40Y                     |          |                      |      |
|----------------------------|----------|----------------------|------|
| a.c. output                | 230 V    | <sup>1</sup> max.kW  | 3,4  |
|                            | 50 Hz 1~ | <sup>2</sup> cont.kW | 3,3  |
| power factor               |          | cos ø                | 1    |
| fuel                       |          | Diesel               |      |
| starting                   |          | electric             |      |
| alternator                 |          | synchronous          |      |
| engine                     |          | YANMAR L70AE         |      |
| cooling system             |          | air                  |      |
| displacement               |          | c.c.                 | 406  |
| n° cylinders               |          |                      | 1    |
| prime power                |          | HP                   | 8,8  |
| R.P.M.                     |          |                      | 3000 |
| fuel tank capacity         |          | lt.                  | 5,5  |
| ¾ load operating hours     |          | h                    | 3    |
| sound power level          |          | L <sub>wA</sub>      | 105  |
| acoustic pressure at 7 mt. |          | dB(A)                | 80   |

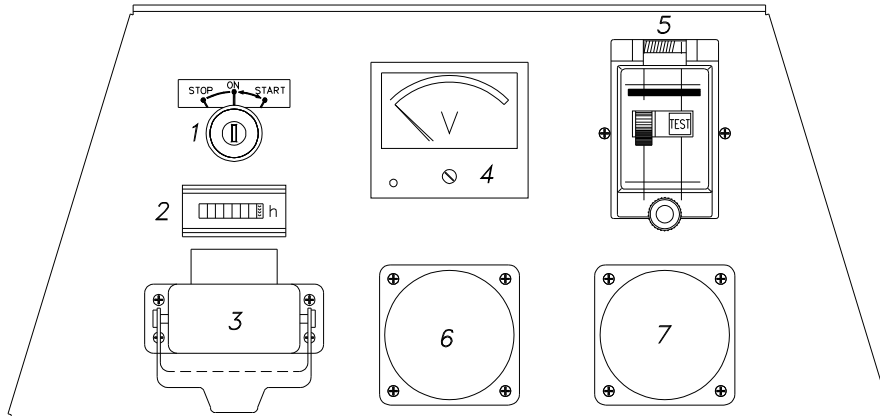
| PD 40Y     |   |     |    |
|------------|---|-----|----|
| DIMENSIONS | L | 725 | mm |
|            | W | 515 | mm |
|            | H | 585 | mm |
| WEIGHT     |   | 87  | kg |

<sup>(1)</sup> **Stand-by power:**  
power available for emergency

<sup>(2)</sup> **Prime power:** maximum power  
available at variable loads for an  
unlimited numbers of hours

## CONTROL PANELS

### PD 40Y



- 1 Ignition key
- 2 Hour counter
- 3 Remote control connector
- 4 Voltmeter
- 5 Differential magnetothermal switch, 1P
- 6 Single-phase outlet, EEC 16A 230V 2P+GND
- 7 Single-phase outlet, EEC 16A 230V 2P+GND

### OPTIONAL

- Automatic control panel
- Remote control panel
- Undergear