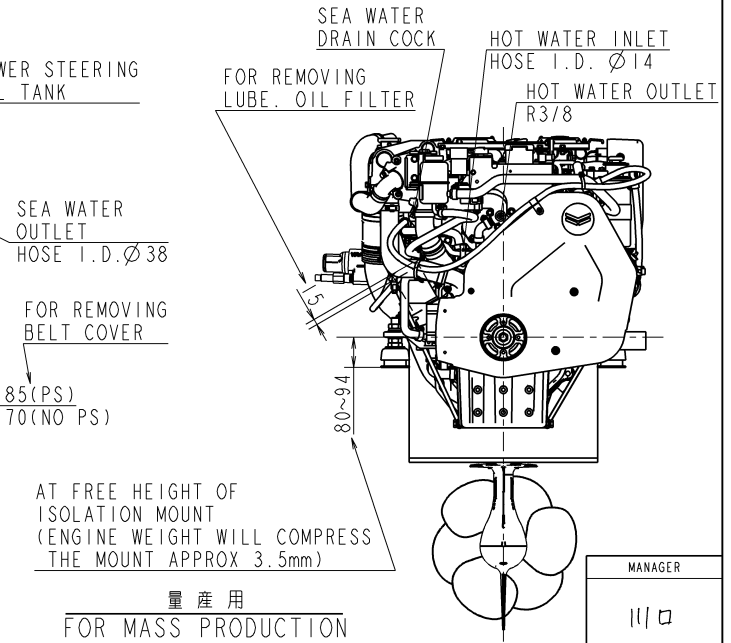
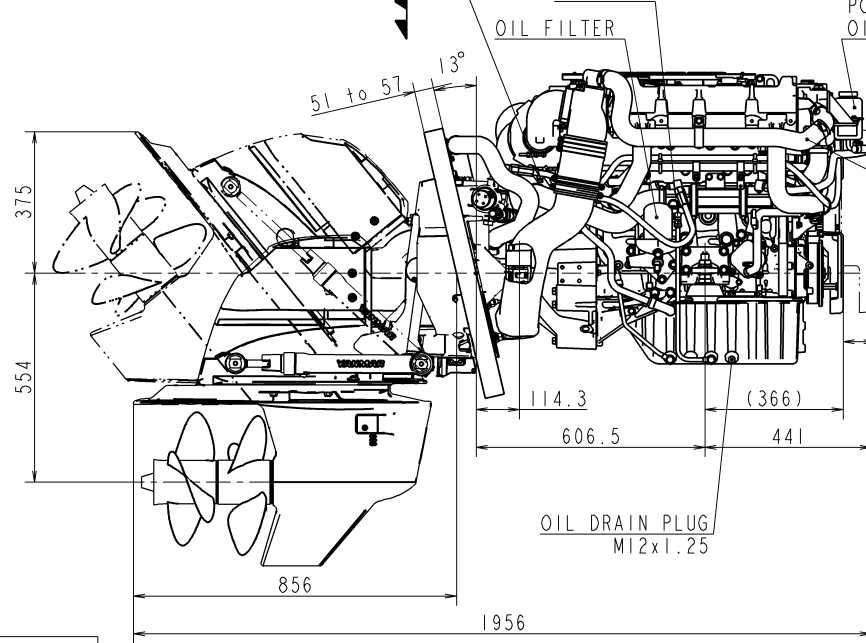
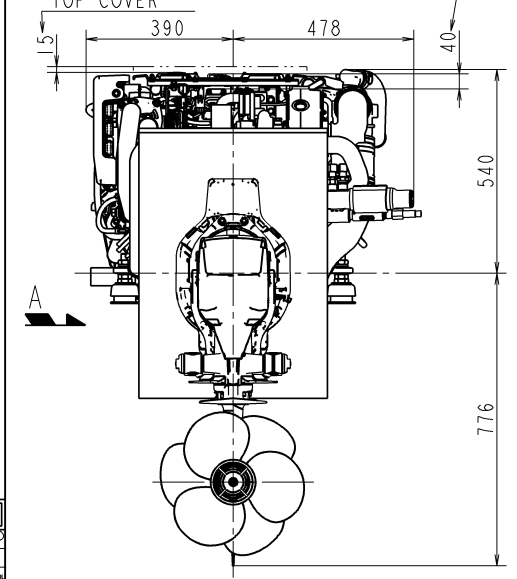


CAREER
RELEASE OF DRAWING FOR MASS PRODUCTION (YDSBD-18013)



AT FREE HEIGHT OF ISOLATION MOUNT (ENGINE WEIGHT WILL COMPRESS THE MOUNT APPROX 3.5mm)

DRIVE UNIT	REDUCTION	DRY WEIGHT, kg	DIRECTION OF ROTATION
ZT370	1.65 1.78 1.97	100	CONTRAROTATING PROPS

SPECIFICATIONS					
MODEL	4LV150Z(C)	4LV170Z(C)	4LV195Z(C)	4LV230Z(C)	4LV250Z
Continuous Power (ISO8665)kW/min ⁻¹	100 / 3392	114 / 3392	130 / 3392	154 / 3683	168 / 3683
Fuel Stop Power Crankshaft (ISO8665)kW/min ⁻¹	110 / 3500	125 / 3500	143 / 3500	169 / 3800	184 / 3800
Engine Mass kg	Approx. 334				
Direction Of Propeller Shaft Rotation	Counter-clockwise				

量産用
FOR MASS PRODUCTION

SEC. MANAGER 石崎	MODEL	4LV250Z	4LV230Z	4LV195Z	4LV170Z	4LV150Z	SCALE	1:10
CHECKED 石井	SPECIALIST	QTY	-	-	-	-	MATERIAL	-
DESIGNED 阿佐	DRAWN 堀	DATE: Y.M.D	2018.11.7				4LV-Z APPLICATION (1/2)	

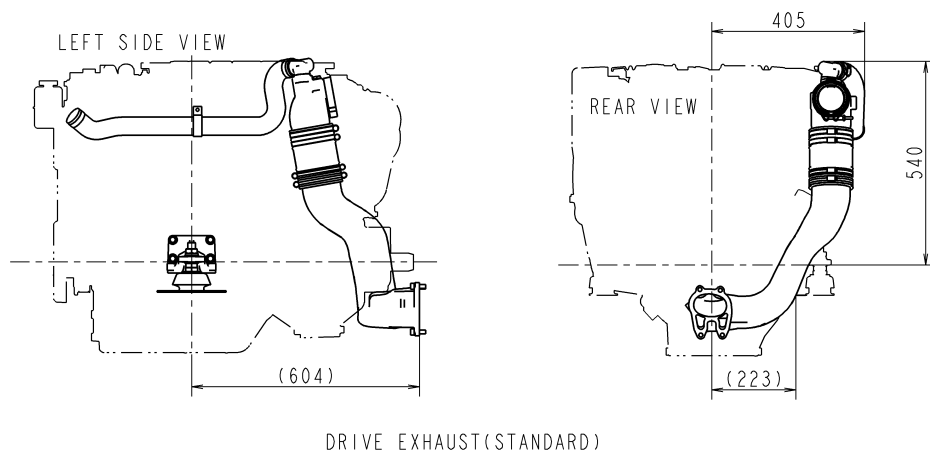
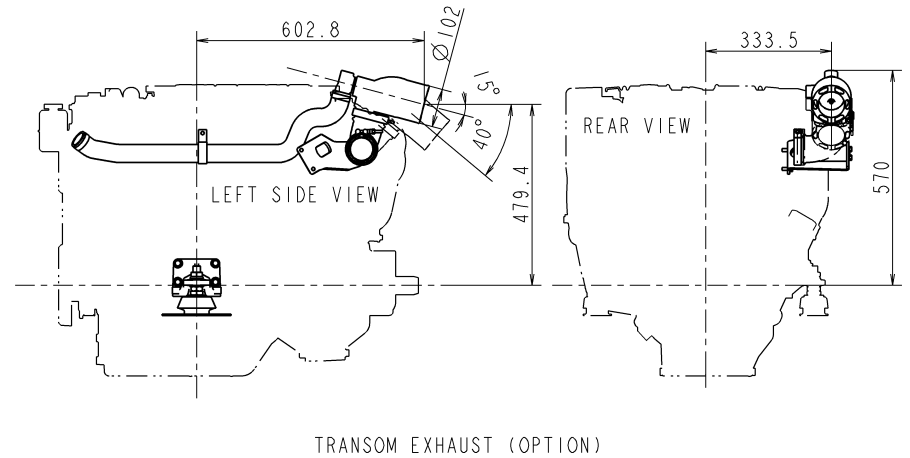
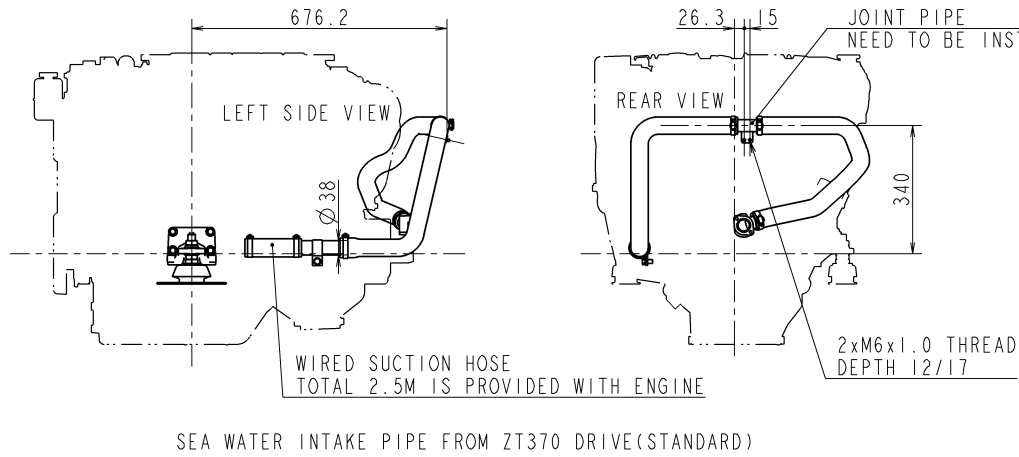
YANMAR
YANMAR CO., LTD. DEVELOPMENT DIV.

CODE B2-20674-0020 DRAW SIZE A2

3D-CAD
NOTICE
GEOMETRICAL TOLERANCE
KIND OF TOLERANCE
SURFACE TOLERANCE
HOLE TOLERANCE
HOLE POSITION TOLERANCE
HOLE DIRECTION TOLERANCE
HOLE PERPENDICULARITY TOLERANCE
HOLE SLOPE TOLERANCE
HOLE CIRCULARITY TOLERANCE
HOLE ROUNDNESS TOLERANCE
HOLE CHAMFER TOLERANCE
HOLE DEPTH TOLERANCE
HOLE LENGTH TOLERANCE
HOLE WIDTH TOLERANCE
HOLE THICKNESS TOLERANCE
HOLE POSITION TOLERANCE
HOLE DIRECTION TOLERANCE
HOLE PERPENDICULARITY TOLERANCE
HOLE SLOPE TOLERANCE
HOLE CIRCULARITY TOLERANCE
HOLE ROUNDNESS TOLERANCE
HOLE CHAMFER TOLERANCE
HOLE DEPTH TOLERANCE
HOLE LENGTH TOLERANCE
HOLE WIDTH TOLERANCE
HOLE THICKNESS TOLERANCE

CAREER

REFER TO (1/2) DRAWING



量産用
FOR MASS PRODUCTION

MANAGER
山口

SEC. MANAGER 石井	MODEL	4LV 250 Z	4LV 230 Z	4LV 195 Z	4LV 170 Z	4LV 150 Z	SCALE	1:10
CHECKED 石井	SPECIALIST	QTY	-	-	-	-	MATERIAL	-
DESIGNED 阿佐	DRAWN 堀	DATE: Y.M.D	2018.11.7				4LV-Z APPLICATION (2/2)	
YANMAR							CODE	B2-20674-0020
YANMAR CO., LTD. DEVELOPMENT DIV.							DRAWN SIZE	A2

3D-CAD

NOTICE

GEOMETRICAL TOLERANCE

KIND OF TOLERANCE SYMBOL

SYMBOLS

PROFILES

PARALLELISM

PERPENDICULARITY

ANGULARITY

CONCENTRICITY

CIRCULAR RUNOUT

TOTAL RUNOUT

STRAIGHTNESS

POSITION

ORIENTATION

FORM

FREE-STATE

REFERENCE