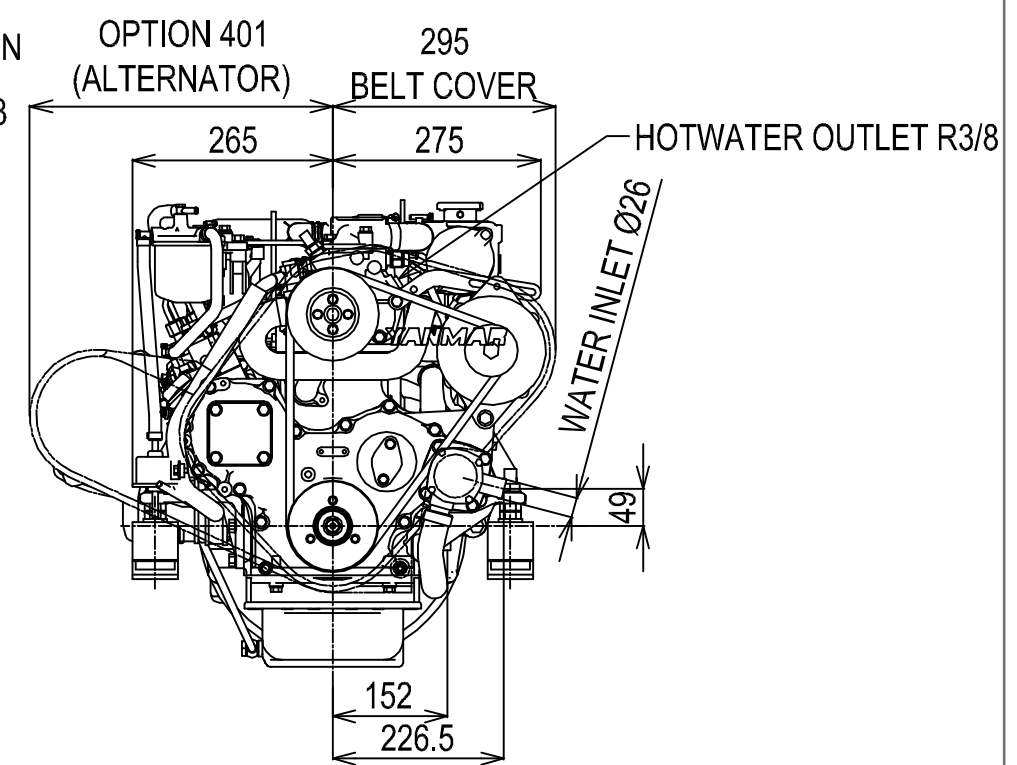


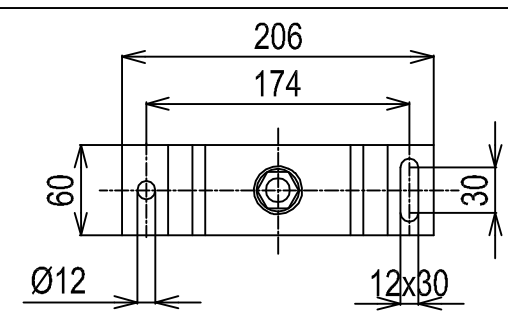
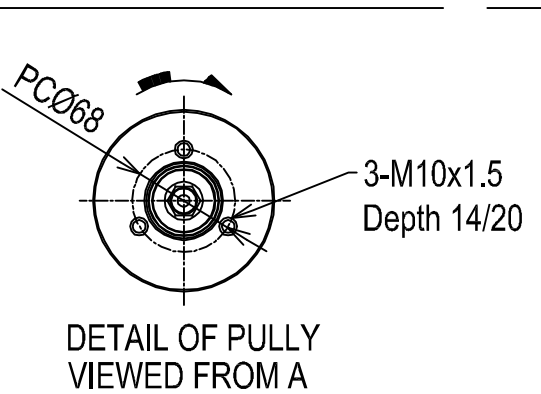
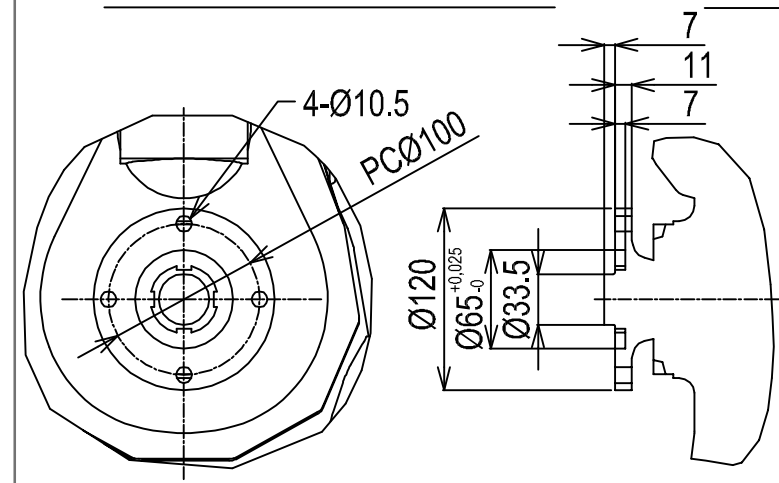
FRESH WATER DRAIN
FUEL OVERFLOW Ø8
FUEL INLET Ø8



DETAIL OF COUPLING

DIRECTION OF ROTATION

DETAIL OF MOUNTING BLOCK



NOTE:

1. DWG. SHOWS MOUNTING BLOCKS AT ORIGINAL HEIGHT. ENGINE WEIGHT WILL COMPRESS BLOCKS BY 4MM (APPROX).
2. MOUNTING BLOCKS ARE EQUIPPED FOR STANDARD ACCESSORY.
3. ⊕ SHOWS THE CENTER OF GRAVITY.
4. THE FIGURES MARKED WITH * SHOW THE DIMENSIONS WITH U-MIXING ELBOW, OR OPTIONAL COUPLING.
5. FOR ADDITIONAL INSTALLATION INFORMATION AND SPECIFICATIONS PLEASE REFER TO THE YANMAR ENGINE INSTALLATION MANUAL

Series:	JH5E	Engine:	4JH5ExKM4A1	Release:	R2009-01
Scale:	1:10	Date:	01-12-2009	Dimensions:	mm

