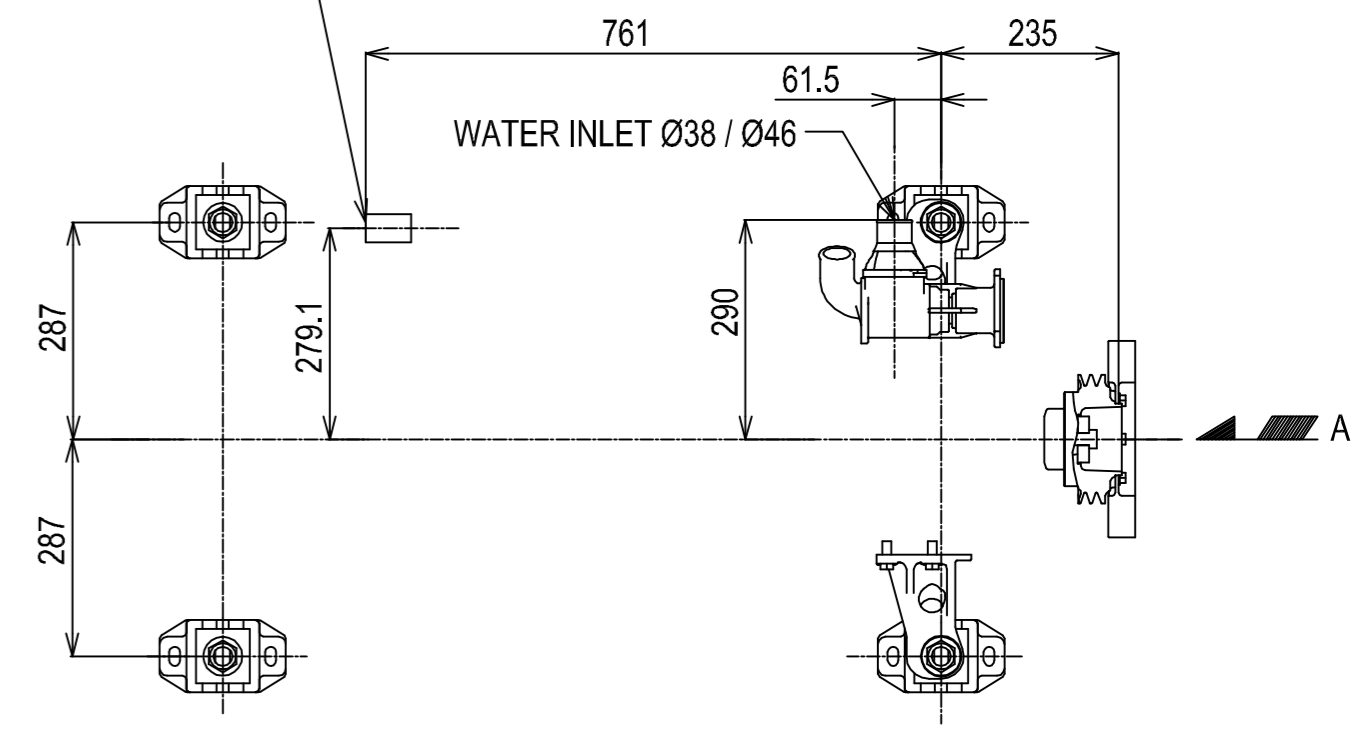
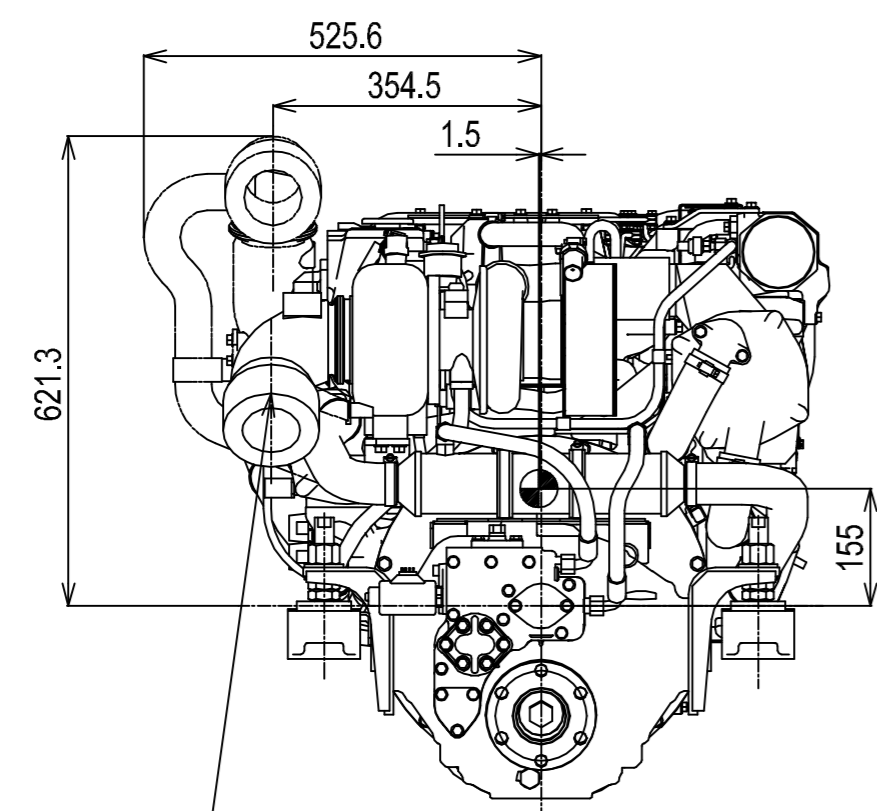


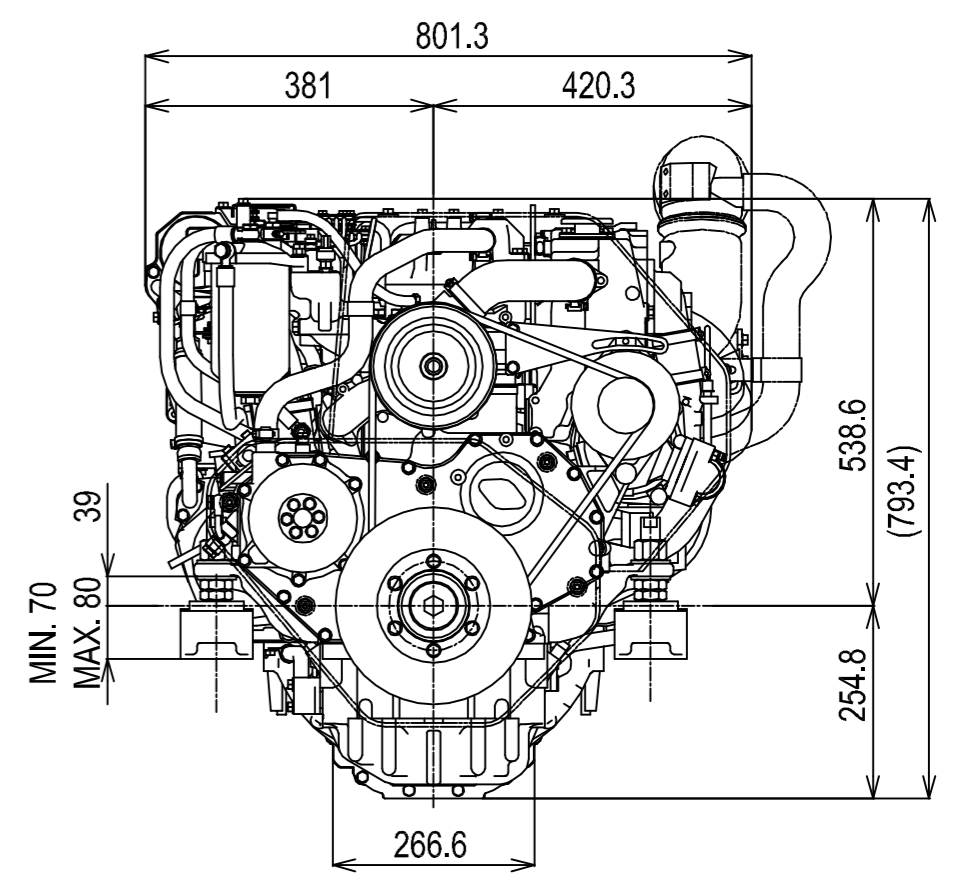
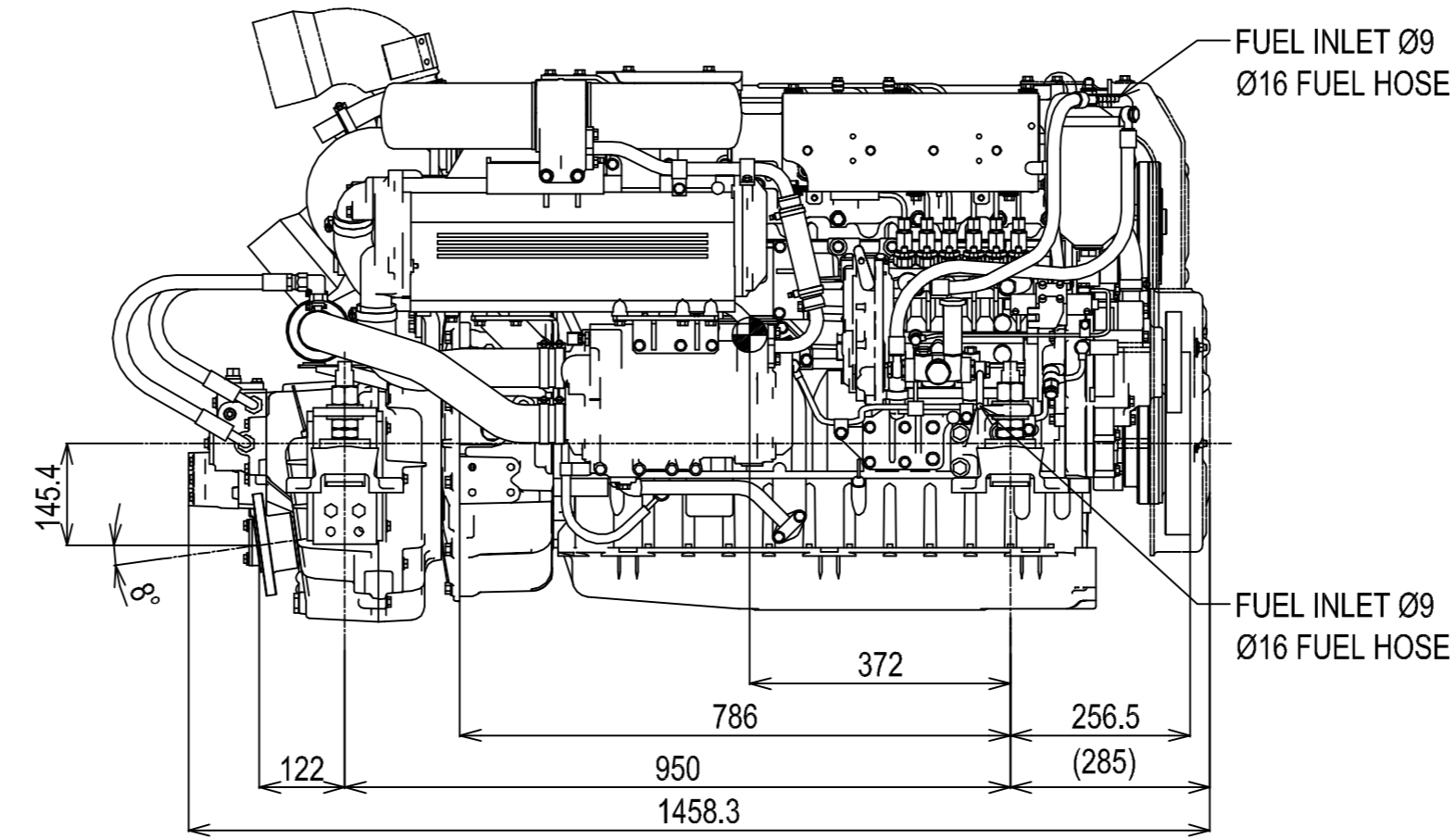
WATER OUTLET Ø37 / Ø46
(WITHOUT MIXING ELBOW)



RISER MIXING ELBOW(OPTION)
- V-BAND TYPE AT EXHAUST INLET.
- ALLOWABLE INSTALLATION ANGLE IS BETWEEN 30° TO 65°

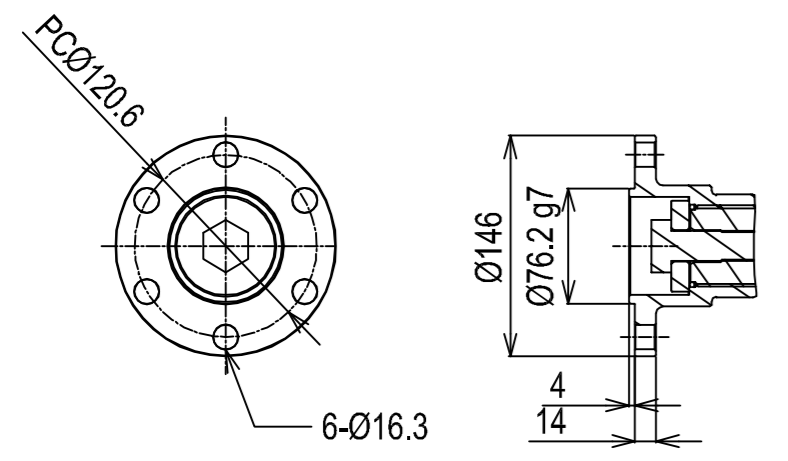


MIXING ELBOW RUBBER HOSE
INNER DIA. 5 INCH

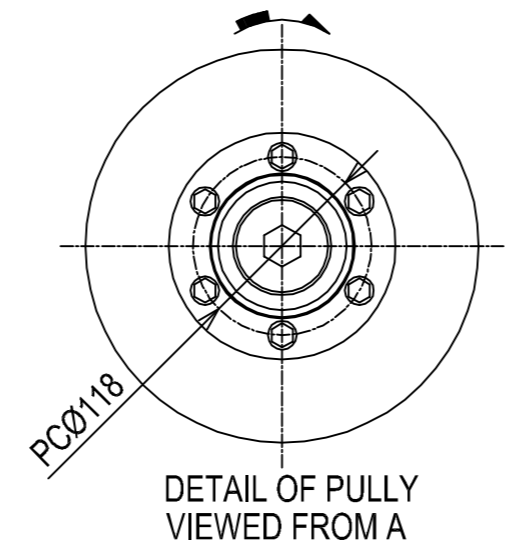
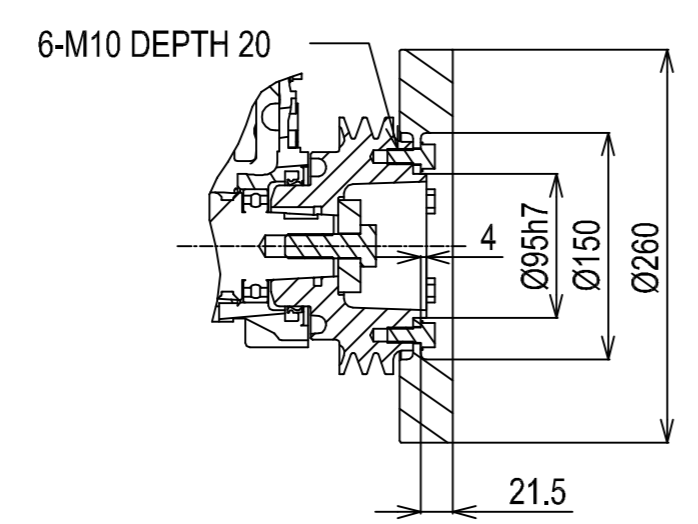


DETAIL OF MOUNTING BLOCK

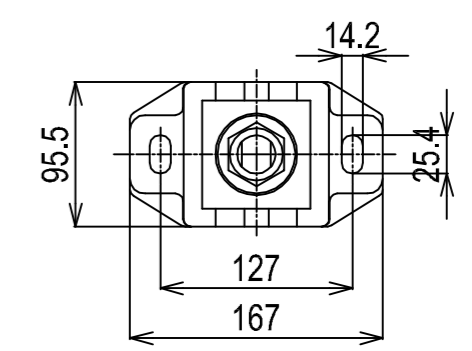
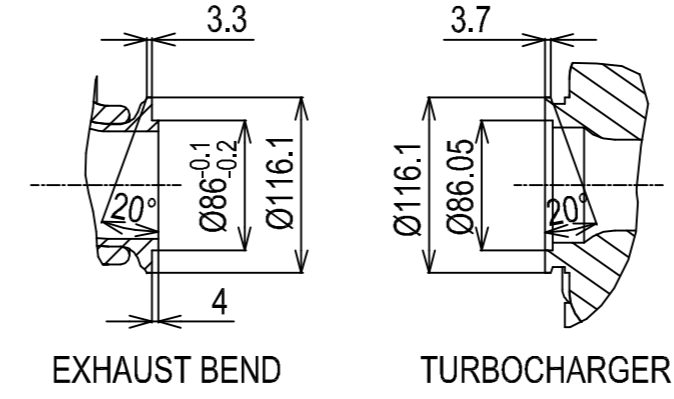
DETAIL OF COUPLING



DIRECTION OF ROTATION



DETAIL OF TURBINE OUTLET



NOTE:

1. DWG. SHOWS MOUNTING BLOCKS AT ORIGINAL HEIGHT. ENGINE WEIGHT WILL COMPRESS BLOCKS BY 4MM (APPROX).
2. MOUNTING BLOCKS ARE EQUIPPED FOR STANDARD ACCESSORY.
3. ● SHOWS THE CENTER OF GRAVITY.
4. FOR ADDITIONAL INSTALLATION INFORMATION AND SPECIFICATIONS PLEASE REFER TO THE YANMAR ENGINE INSTALLATION MANUAL

Series: LY3	Engine: 6LY3A-UTP×KM61A	Release: R2008-01
Scale: 1:10	Date: 30-12-08	Dimensions: mm

