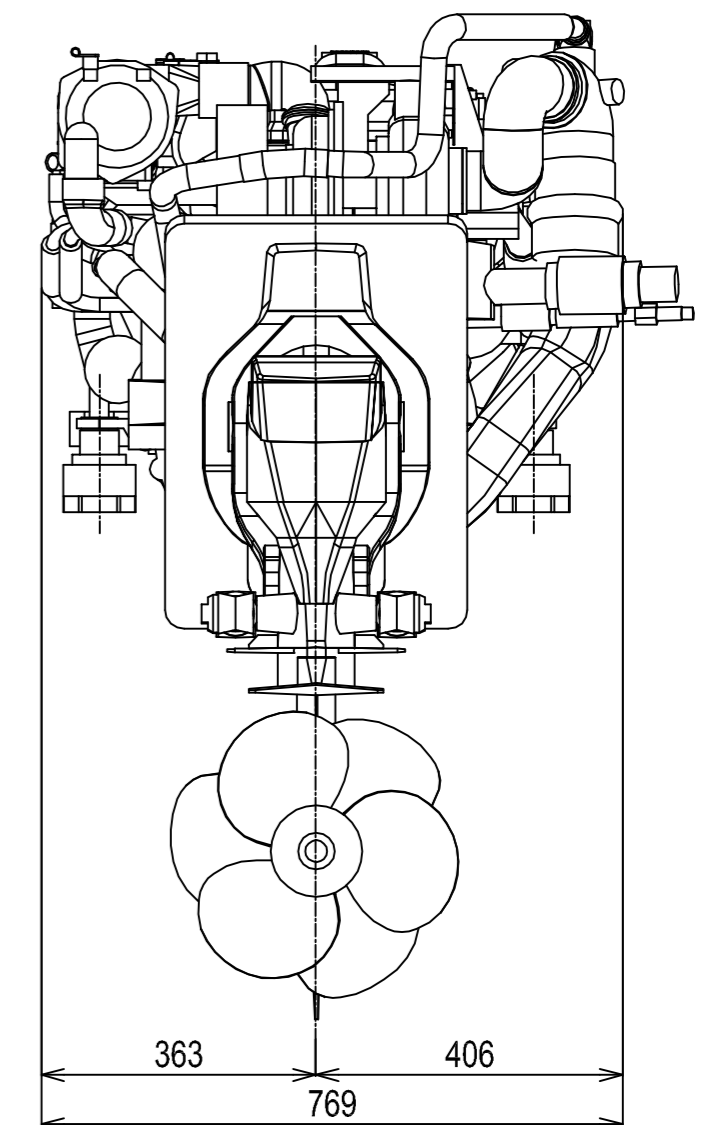
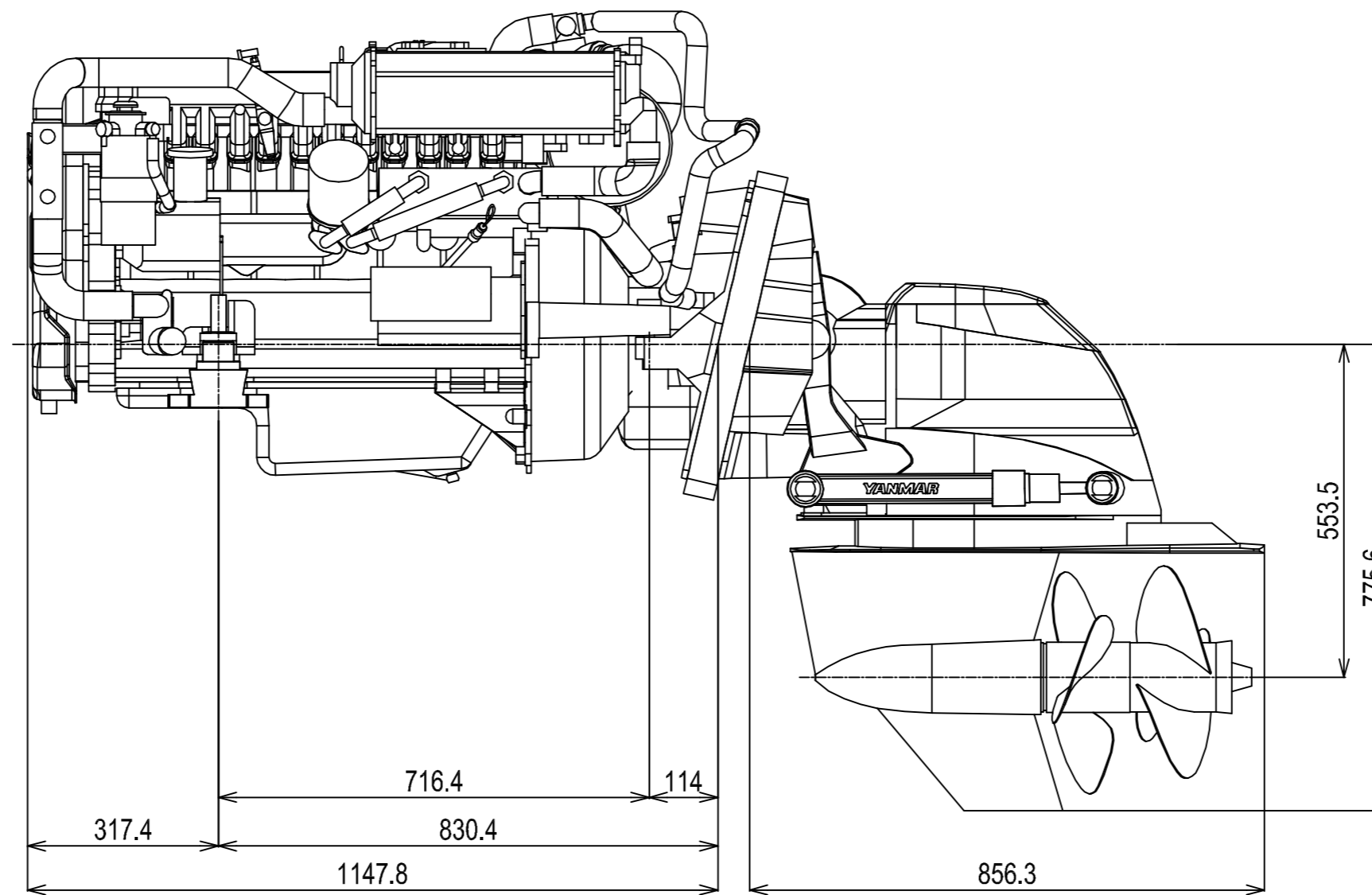
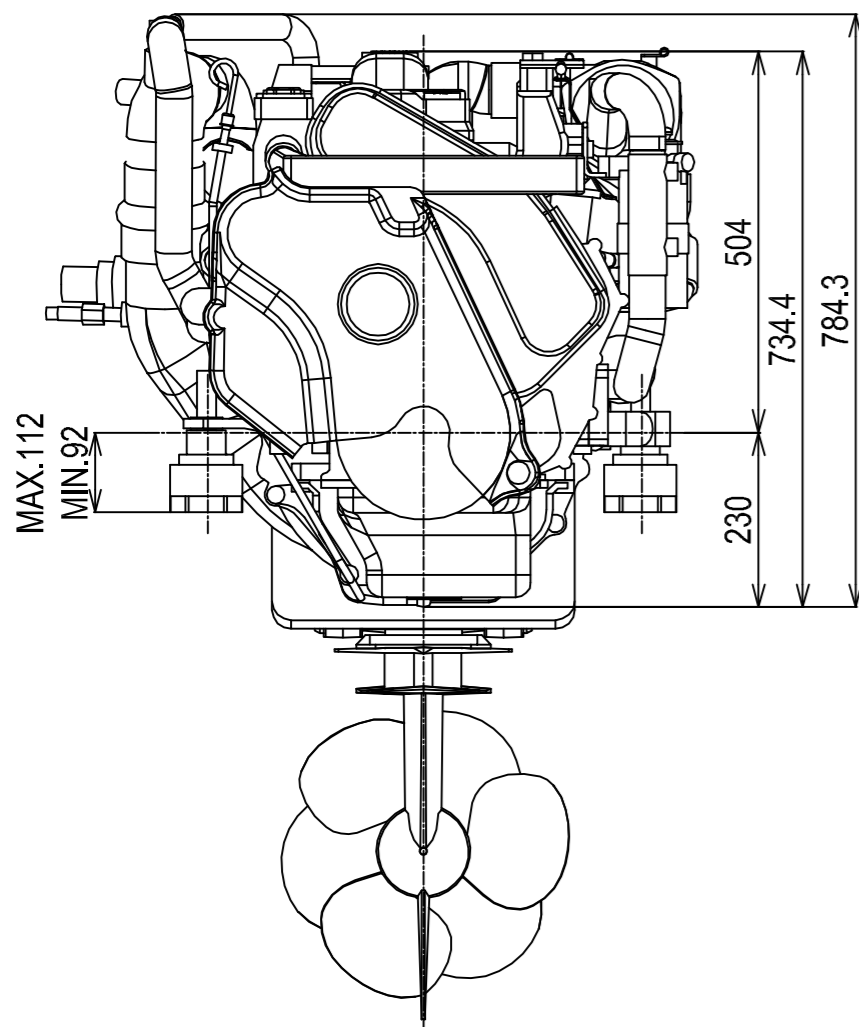
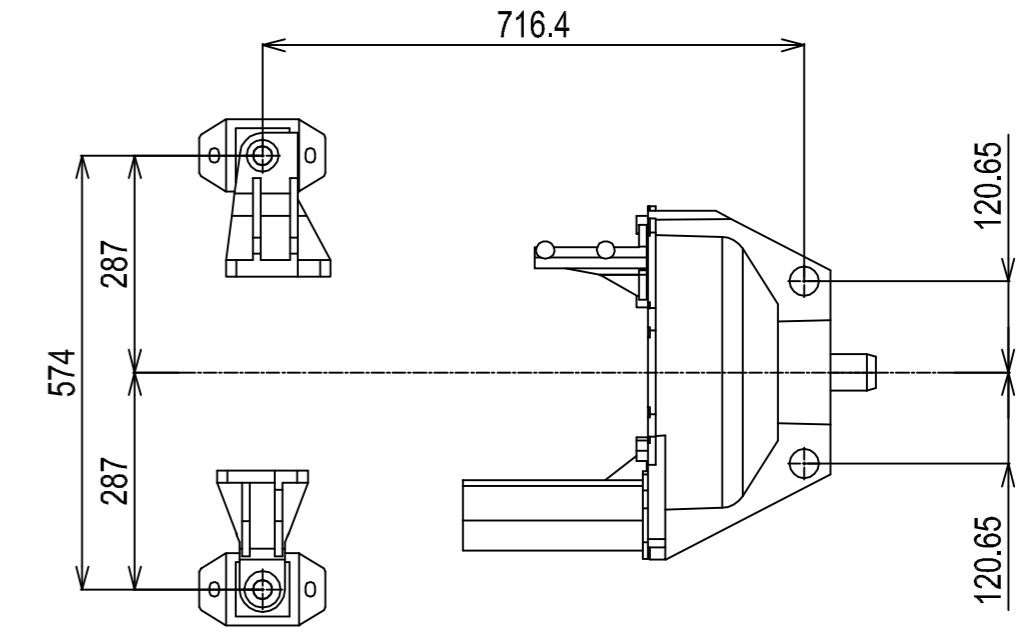
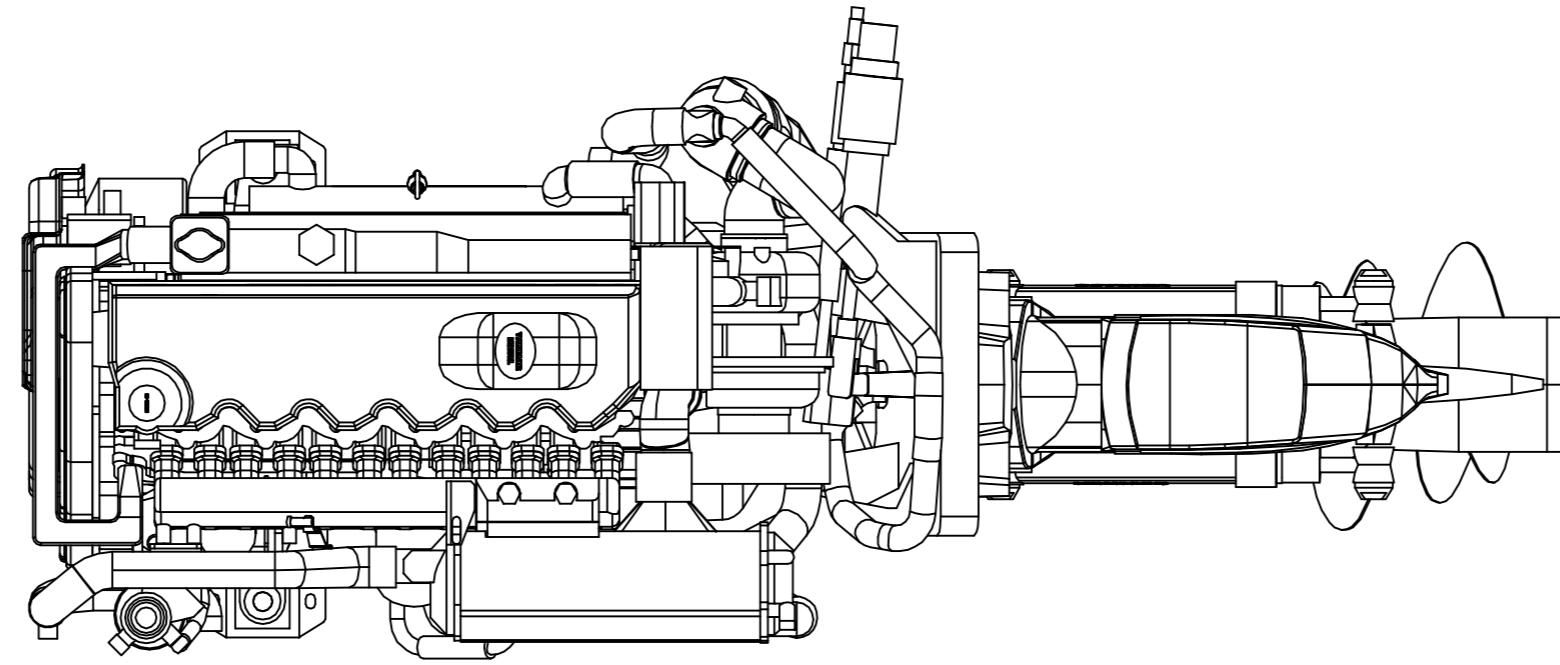
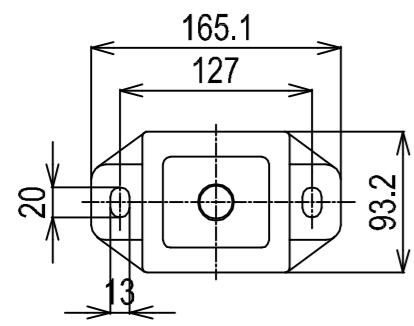
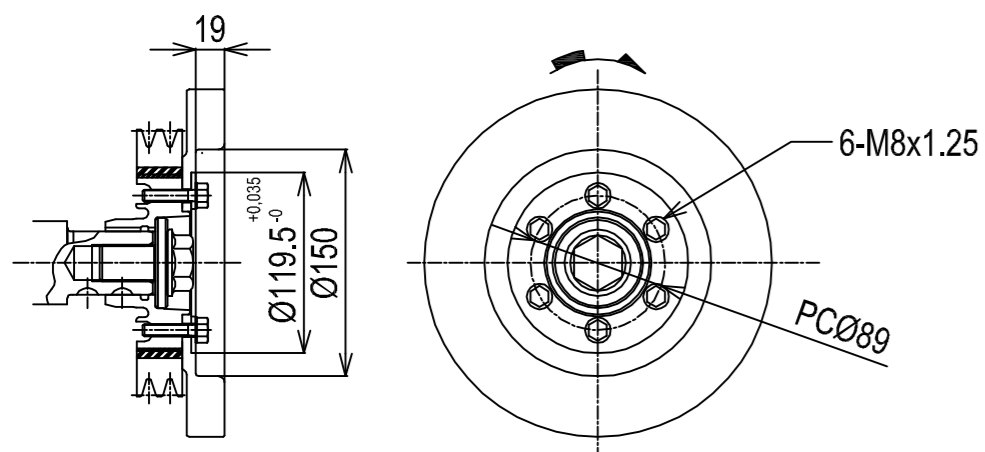


DETAIL OF MOUNTING BLOCK



DIRECTION OF ROTATION



DETAIL OF PULLEY VIEWED FROM A

NOTE:

1. DWG. SHOWS MOUNTING BLOCKS AT ORIGINAL HEIGHT. ENGINE WEIGHT WILL COMPRESS BLOCKS BY 4MM (APPROX).
2. MOUNTING BLOCKS ARE EQUIPPED FOR STANDARD ACCESSORY.
3. ● SHOWS THE CENTER OF GRAVITY.
4. FOR ADDITIONAL INSTALLATION INFORMATION AND SPECIFICATIONS PLEASE REFER TO THE YANMAR ENGINE INSTALLATION MANUAL

| | | |
|-------------|--------------------------|-------------------|
| Series: LP | Engine: 6LPA-STZP2xZT350 | Release: R2008-01 |
| Scale: 1:10 | Date: 01-12-08 | Dimensions: mm |

